



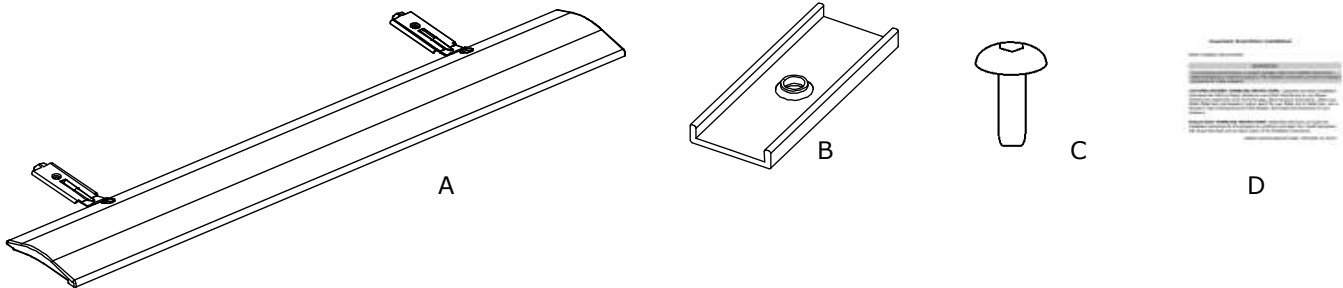
## GENUINE PARTS

### INSTALLATION INSTRUCTIONS

<b>DESCRIPTION:</b>	Tailgate Guard for Dual Wall Bed Liner
<b>APPLICATION:</b>	Titan
<b>PART NUMBER:</b>	Tailgate Guard - 999T7 W4950

#### KIT CONTENTS:

Item	Qty.	Part Description	Service Part Number
A	1	Tailgate Guard	---
B	2	Bracket	---
C	2	T30 Torx Screw M6 x 16	---
D	1	Installation Instruction Replacement Template	999V2 AW000



#### TOOLS REQUIRED:

- Socket Wrench
- T30 Torx Screwdriver
- Torque Driver with T30 Torx Head
- Marker/Grease Pen/Pencil (Optional)
- ≥90% Alcohol/Water Solution
- Microfiber Cloth
- Box Cutter or Safety Razor (Optional)
- Straight Edge (Optional)

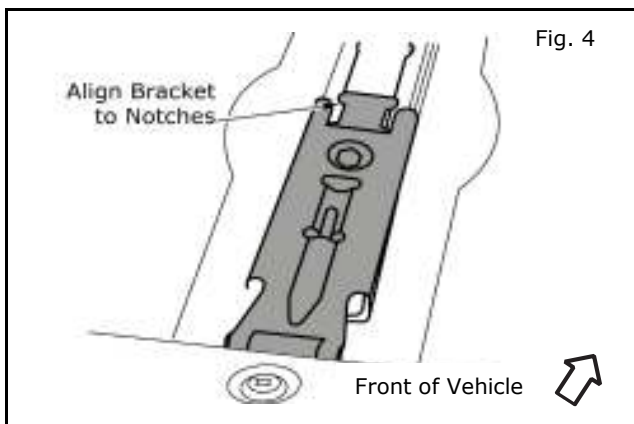
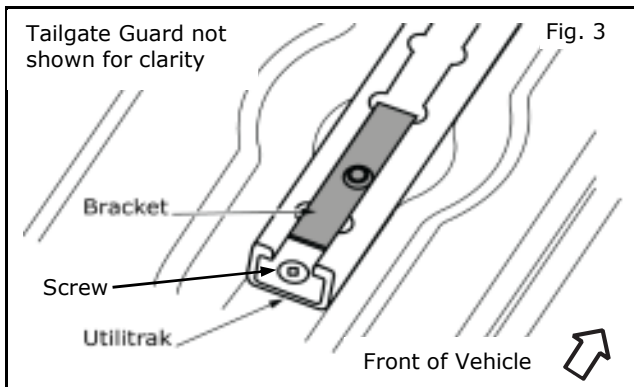
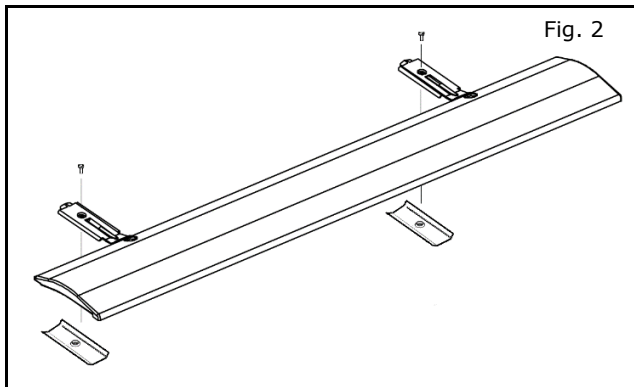
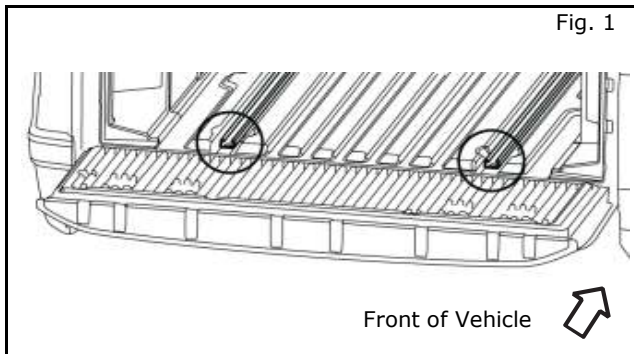
#### PRE-INSTALLATION WARNINGS, CAUTIONS, CRITICAL STEPS, and NOTES:

- Dealer Installation Recommended. Instructions may refer to Service Manual.

### WARNING

- Exercise caution when manipulating the hinges on the tailgate guard. The passenger side (RH) hinge is spring loaded.

## INSTALLATION PROCEDURE:



- 1) Lower tailgate
- 2) Remove utilitrack caps per instructions in owner's manual.
- 3) Clean area shown using 90% or greater alcohol solution.

### NOTE:

**Failure to clean surface could result in improper fit.**

- 4) Loosely assembly the two brackets onto the tailgate guard using the allen screws.

- 5) Installing tailgate guard.

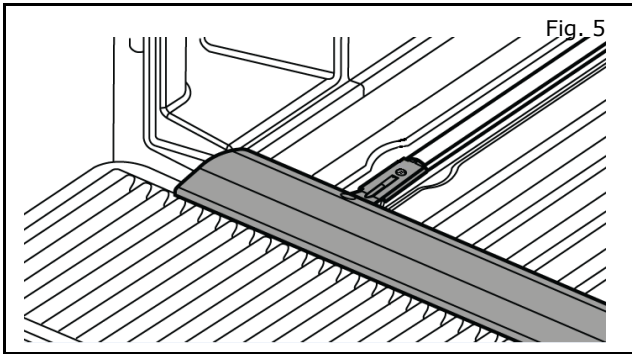
- a) Insert the lower brackets into the utilitraks while ensuring the bracket clears the screw at the end.

- b) Align the bracket to the notches in the utilitrack.

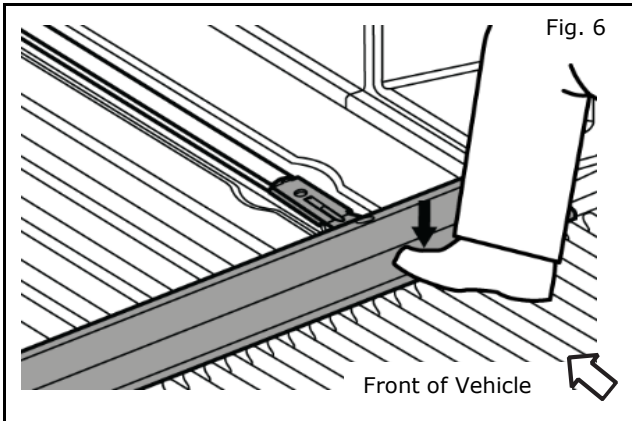
### NOTE:

**Intall LH side of tailgate guard first. Installing RH side of tailgate guard first will result in improper fit.**

## INSTALLATION PROCEDURE:

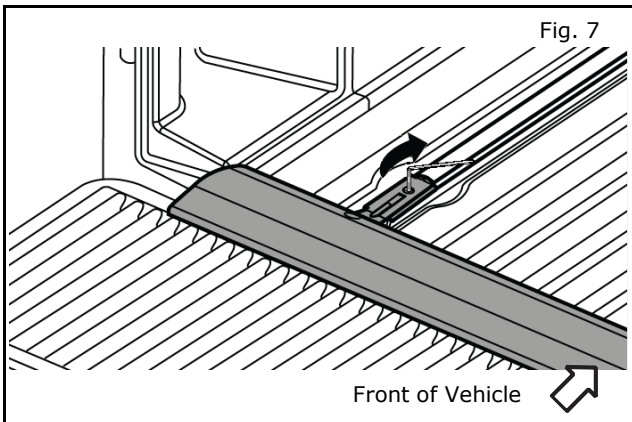


- c) Loosely install driver side of tailgate guard as shown. Do not overtighten the screw.

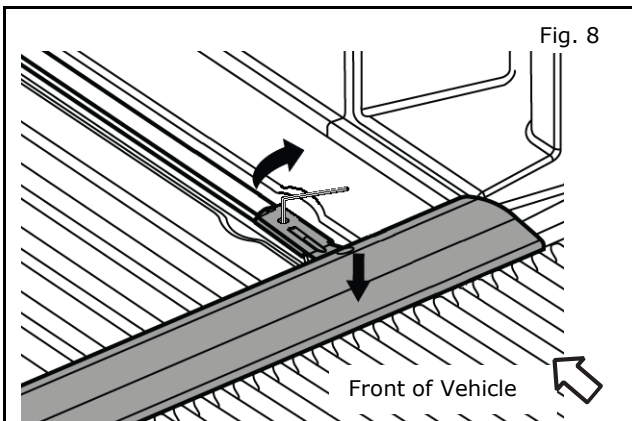


- d) Apply pressure to passenger side of tailgate guard by sitting on part or placing foot over area shown.

- e) With pressure applied, align and loosely install passenger side of tailgate guard. Do not overtighten the screw.

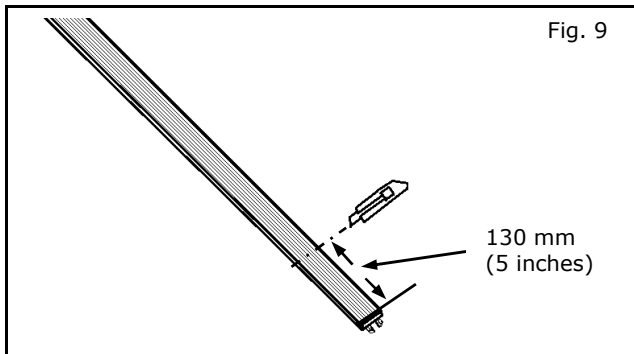


- e) Tighten driver side of tailgate guard to 10.5 N-m (8ft-lb) using T30 torx screwdriver or torque driver with a T30 torx head.



- f) Apply pressure to passenger side of tailgate guard (as done in Step 5c) and tighten bolts to 10.5 N-m (8 ft-lb) using T30 torx screwdriver or torque driver with a T30 torx head.

## CUSTOMER USAGE:

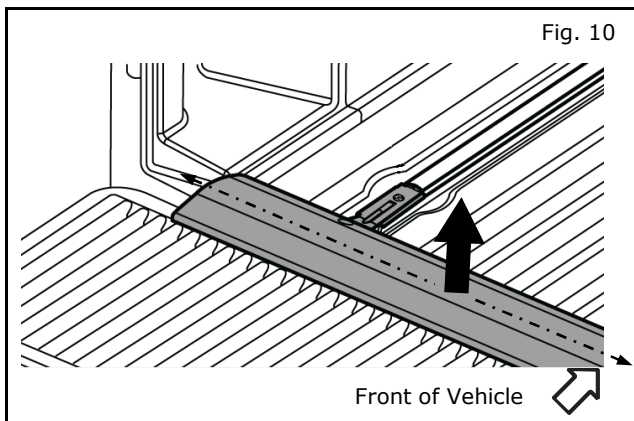


- 6) Optional: Utilitrak cover trimming  
The utilitrak cover can be trimmed to be used with the tail gate guard.
  - a) Measure 130 mm or 5 inches from the end of utilitrak cover and create a mark.
  - b) Using a straight edge draw a line across the utilitrak cover.
  - c) Carefully cut straight across the utilitrak cover, taking care to keep hands and your body away from the cutter.

### **WARNING**

- **Serious injury can occur by using a cutting instrument improperly. Dealer installation or professional assistance is recommended.**

- d) Repeat steps 6-a to 6-c for the second utilitrak cover.



- 7) Removing debris  
Gravel, top soil, and other debris can sometimes shift underneath the tailgate guard. Lift tailgate guard and brush away debris toward either side to allow tailgate guard to operate properly.
- 8) Unloading gravel, topsoil, and other small particles  
After unloading gravel, top soil or other small particles check underneath the tailgate guard and remove debris as described in step 7.